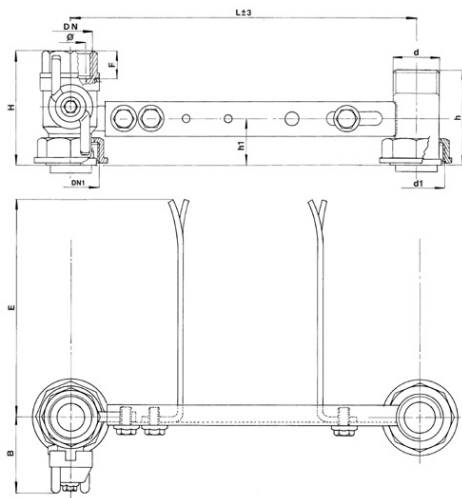




## RIV 7640

Unified complete bracket for gas meter with a 250 mm. centre-to-centre distance fixed cross piece and double rag bolt to embed aluminium sealing butterfly handle

### Tech drawings and tables

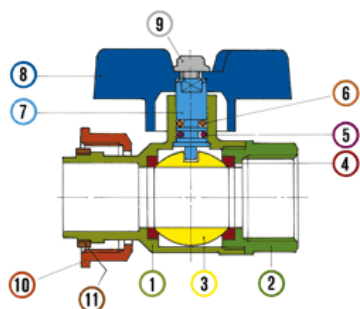


DNxDN1	Code	Ø	H	h	L	F	B	E	d1	d	h1	PN	KG	P/box
1" x 1"1/4	077640000278	22	82,5	70	250	23	54	155	1"1/4	1"	32,5	5	1,18	5
1" x 1"1/4	077640000281	20	81,5	70	250	23	52,5	155	1"1/4	1"	32,5	5	1,11	5

### Advantages

## Technical data

Art. 7564



### Materials

Part	Material	Composition	Finish
1	Body	Brass	CuZn40Pb2
2	Body end	Brass	CuZn40Pb2
3	Ball	Brass	CuZn40Pb2 Chrome-plated
4	Seats	P.T.F.E.	
5	O-Ring	FKM	
6	O-Ring	NBR	
7	Stem	Brass	CuZn39Pb3
8	Butterfly handle	Aluminium	GD-AISI12Cu2Fe Yellow
9	Screw	Steel	Zinc-plated
10	Swivel nut	Brass	CuZn40Pb2
11	Screwed ring	Brass	CuZn39Pb3

### Connections

Female ISO 7/1Rp (parallel), screwed ring ISO 228/1

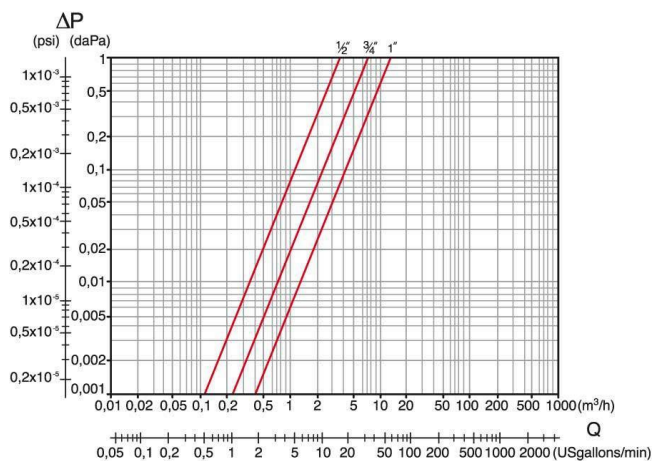
### Limit

-20°+70° (without liquid)

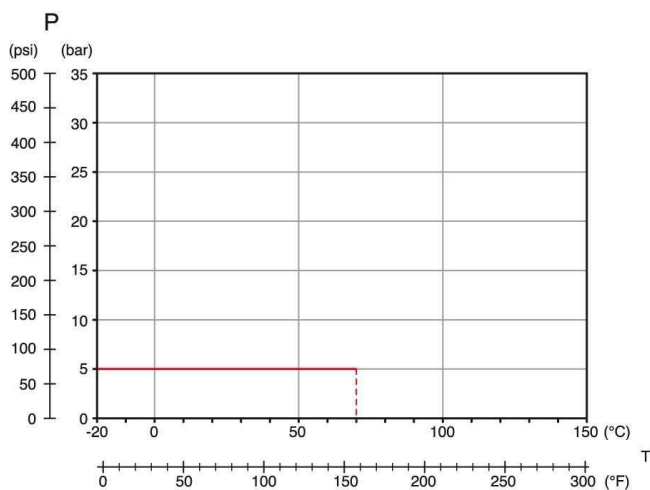
### Notes

The max.working pressure (PN) means at a room temperature of about 23°C.

## Pressure Loss Chart



## Temperature/Pressure



## Kv & Cv Coefficients

### Size Kv Cv

1"	42,0	-
3/4"	24,0	-
1/2"	11,5	-

## Approvals

